

ASTERA

— KITCHEN —



CATALOG

TABLE OF CONTENT

03 INTRODUCTION

- 03 About Us
- 04 KCMA Certificate

05 CABINET MODULES

- 05 How To Create Kitchen
- 06 Slab Door Cabinets Specification
- 07 Thermofoil Cabinets Specification
- 08 Gola Cabinets Specification
- 09 Hanging System

10 VARIANT MODULES

- 10 Slab Door Cabinet Modules
- 13 Thermofoil Cabinet Modules
- 16 Gola Cabinet Modules

19 FINISHING OPTIONS

- 19 Wood Panel Options
- 20 Color Options
- 22 Thermofoil Door

23 COUNTERTOPS

- 24 Quartz Color Options
- 26 Edge Options

27 ACCESORIES

- 28 Pull Handles
- 28 Handle Knob
- 28 Extrusion Handles
- 29 Lamp







ABOUT US

ASTERA is an independent company with around 10 years of experience in the furniture manufacturing industry, especially focusing on mass-production ready-made cabinets & countertops for the kitchen. 3 Big Brand there are Indocabinets, Indowood, and Indoquartz support this ASTERA KITCHEN.

Our iconic portfolio offers a wide selection of ready-made kitchen cabinets & countertops which are exclusively designed and are made of the highest quality 'eco friendly' material and finishing.

All of these are ready-made products are then tested for durability and inspected to exact KCMA (Kitchen Cabinet Manufacturers Association) quality standard.



Kitchen Cabinet
Manufacturers Association®



Certificate Number: 23093
Issue Date: October 31, 2023
Expiration Date: August 31, 2024
Supersedes Certificate No.: 22057

LISTING
CERTIFICATE

THIS CERTIFIES THAT

Astera, Inc.
Atlanta, GA

is a current participant in the Kitchen Cabinet Manufacturers Association Certification Program and is manufacturing the following lines of kitchen cabinets and/or bathroom vanity cabinets in conformance with American National Standard ANSI/KCMA A161.1-2022, *Performance and Construction Standard for Kitchen and Vanity Cabinets*:

Framed Cabinets with Shaker Doors
Frameless Cabinets with Thermofoil and Melamine Doors

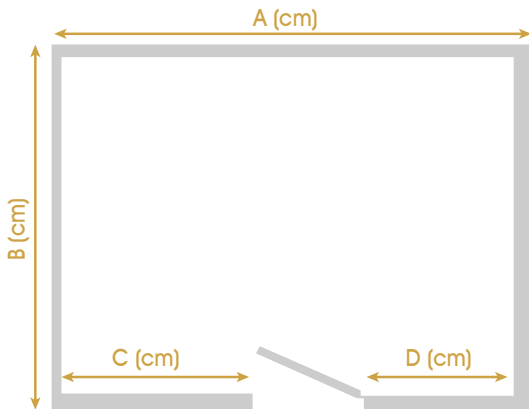
These cabinet lines are listed in the Kitchen Cabinet Manufacturers Association Directory of Certified Cabinet Manufacturers. This manufacturer is authorized to apply KCMA Certification Seals to the kitchen and bath cabinet lines listed above. Flat pack (unassembled) cabinets, if sold by this manufacturer, are not certified.

This certificate may be updated at any time and will expire on the date listed above. This certificate may also be canceled for non-conformity with the requirements of the Certification Program or upon voluntary withdrawal from the program by the manufacturer.

Charles P. Arnold
Vice President Standards & Certification

This certificate is current as of the issue date
Current listing information is at www.kcma.org

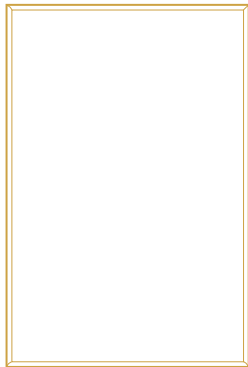
HOW TO CREATE ASTERA KITCHEN



1. ROOM SPACE

Measure your room space, included:

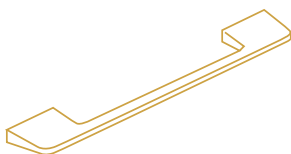
- Water outlet position
- Electrical position
- Ceiling height
- Decide your kitchen appliance



3. DOOR OPTIONS

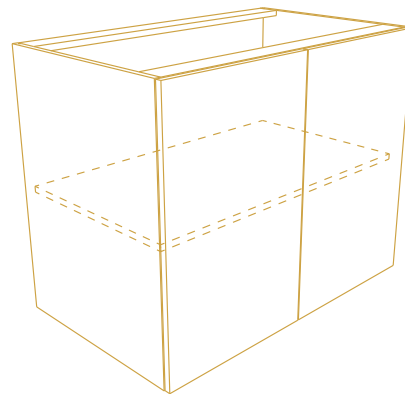
Choose your door model between this 3 type of Astera's Door:

- Slab Door
- Thermofoil Door
- Slab Door with Gola



5. ACCESSORIES

Choose Your Accessories:
Choose Handle and Lightings.



2. KITCHEN MODULES

Choose your Astera Kitchen Module.

Type cabinet Modules:

- Base Cabinet
- Wall Cabinet
- Other module



4. WOOD PANEL + FINISHING

Choose your Wood Panel options:

- HPP (High Pressure Plywood)
- MDF (Medium Density Fiber)
- MFC (Melamine Face Chip)

SLAB DOOR CABINETS SPECIFICATION

WALL CABINET

1. Shelf

Wood panel 18mm, 2 sides melamine finish and 4 sides edging

2. Side Panel

Wood panel 18mm, 2 sides melamine finish and 4 sides edging

3. Top Panel

Wood panel 18mm, 2 sides melamine finish and 4 sides edging

4. Back panel

MDF 6mm 1 side melamine finish

5. Side Panel

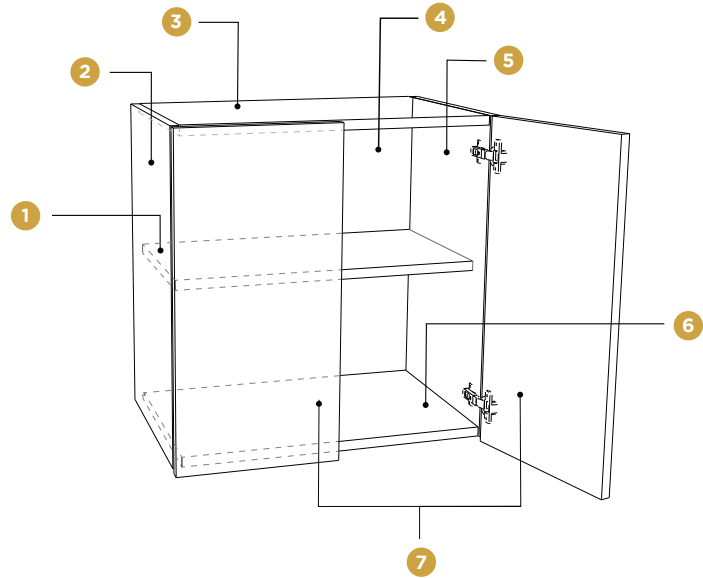
Wood panel 18mm, 2 sides melamine finish and 2 sides edging

6. Bottom Panel

Wood panel 18mm, 2 sides melamine finish and 4 sides edging

7. Slab Door*

MDF 18mm, 2 sides melamine finish and 4 sides edging



Note : - Wood Panel available core : MFC, MDF, & HPP

BASE CABINET

1. Shelf

Wood panel 18mm, 2 sides melamine finish and 4 sides edging

2. Side Panel

Wood panel 18mm, 2 sides melamine finish and 4 sides edging

3. Back panel

MDF 6mm 1 side melamine finish

4. Support

Wood panel 18mm, 2 sides melamine finish and 2 sides edging

5. Side Panel

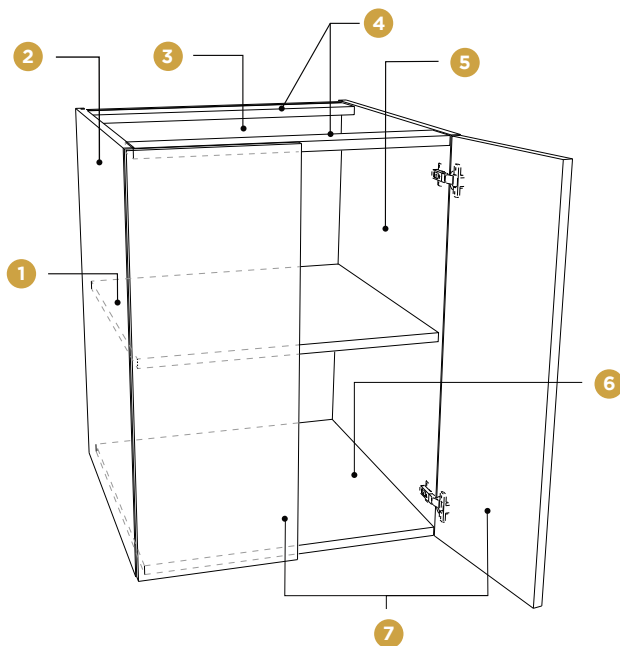
Wood panel 18mm, 2 sides melamine finish and 4 sides edging

6. Bottom Panel

Wood panel 18mm, 2 sides melamine finish and 4 sides edging

7. Slab Door*

MDF 18mm, 2 sides melamine finish and 4 sides edging



Note : - Wood Panel available core : MFC, MDF, & HPP

THERMOFOIL CABINETS SPECIFICATION

WALL CABINET

1. Shelf

Wood panel 18mm, 2 sides melamine finish and 4 sides edging

2. Side Panel

Wood panel 18mm, 2 sides melamine finish and 4 sides edging

3. Top Panel

Wood panel 18mm, 2 sides melamine finish and 4 sides edging

4. Back panel

MDF 6mm 1 side melamine finish

5. Side Panel

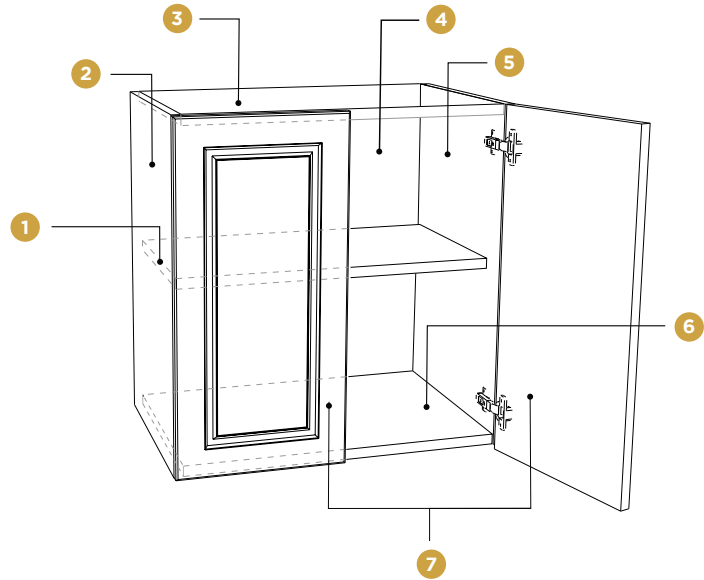
Wood panel 18mm, 2 sides melamine finish and 2 sides edging

6. Bottom Panel

Wood panel 18mm, 2 sides melamine finish and 4 sides edging

7. Thermofoil Door*

MDF 18mm, 1 side melamine finish for the back and thermofoil for the front



Note : - Wood Panel available core : MFC, MDF, & HPP

BASE CABINET

1. Shelf

Wood panel 18mm, 2 sides melamine finish and 4 sides edging

2. Side Panel

Wood panel 18mm, 2 sides melamine finish and 4 sides edging

3. Back panel

MDF 6mm 1 side melamine finish

4. Support

Wood panel 18mm, 2 sides melamine finish and 2 sides edging

5. Side Panel

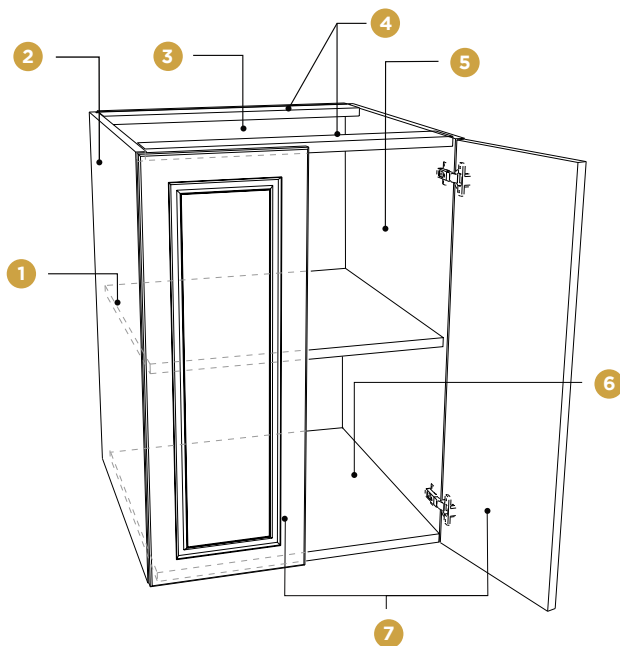
Wood panel 18mm, 2 sides melamine finish and 4 sides edging

6. Bottom Panel

Wood panel 18mm, 2 sides melamine finish and 4 sides edging

7. Thermofoil Door*

MDF 18mm, 1 side melamine finish for the back and thermofoil for the front



Note : - Wood Panel available core : MFC, MDF, & HPP

■ GOLA CABINETS SPECIFICATION

WALL CABINET

1. Shelf

Wood panel 18mm, 2 sides melamine finish and 4 sides edging

2. Side Panel

Wood panel 18mm, 2 sides melamine finish and 4 sides edging

3. Top Panel

Wood panel 18mm, 2 sides melamine finish and 4 sides edging

4. Back panel

MDF 6mm 1 side melamine finish

5. Side Panel

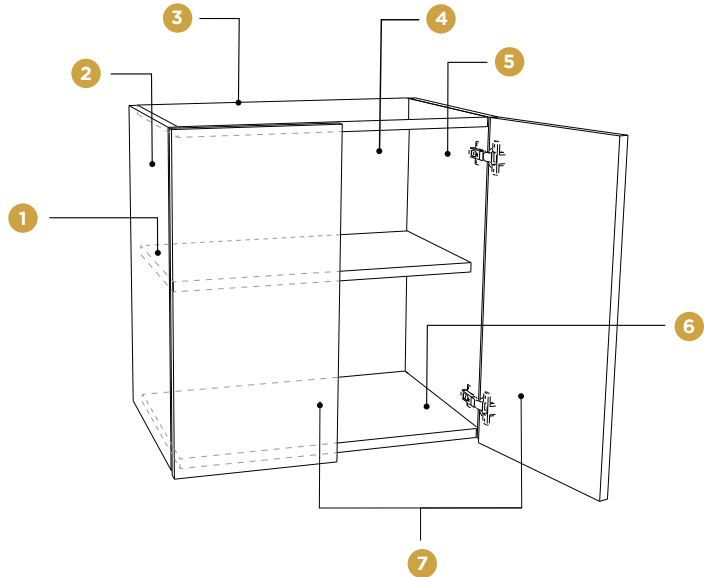
Wood panel 18mm, 2 sides melamine finish and 2 sides edging

6. Bottom Panel

Wood panel 18mm, 2 sides melamine finish and 4 sides edging

7. Slab Door*

MDF 18mm, 2 sides melamine finish and 4 sides edging



Note : - Wood Panel available core : MFC, MDF, & HPP

BASE CABINET

1. Shelf

Wood panel 18mm, 2 sides melamine finish and 4 sides edging

2. Side Panel

Wood panel 18mm, 2 sides melamine finish and 4 sides edging

3. Back panel

MDF 6mm 1 side melamine finish

4. Support

Wood panel 18mm, 2 sides melamine finish and 2 sides edging

5. Side Panel

Wood panel 18mm, 2 sides melamine finish and 4 sides edging

6. Gola (Extrude Handle)

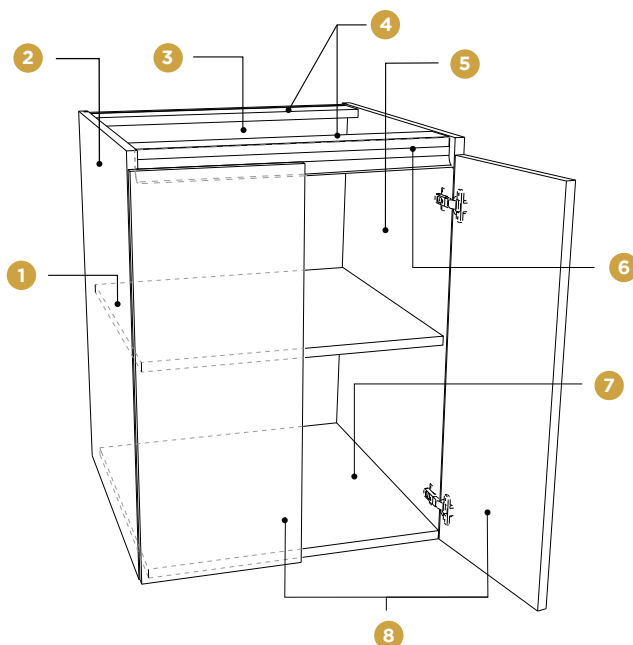
Choose 2 Types : CH 2301 3000 and CH 2301 7000

7. Bottom Panel

Wood panel 18mm, 2 sides melamine finish and 4 sides edging

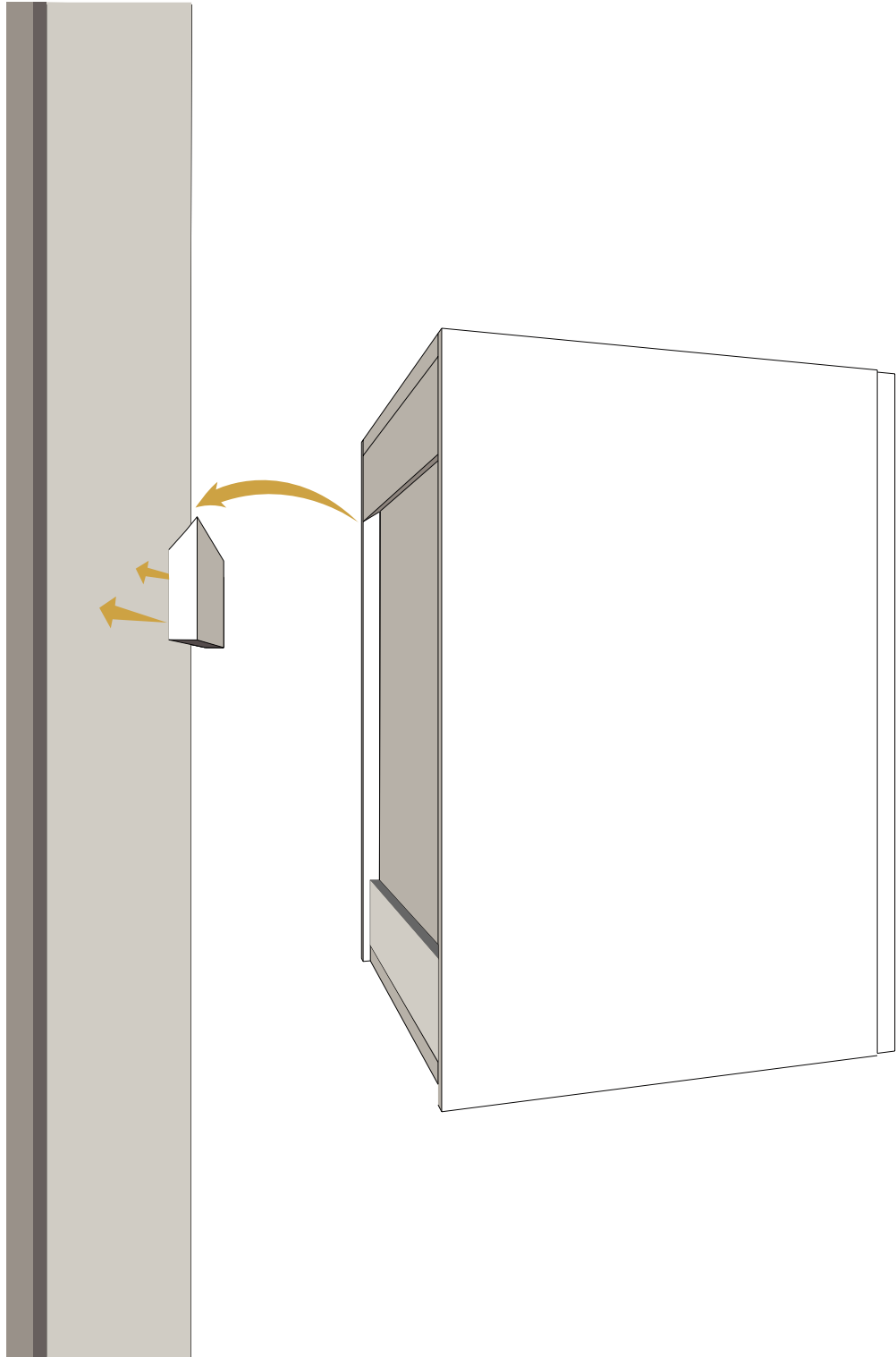
8. Slab Door*

MDF 18mm, 2 sides melamine finish and 4 sides edging



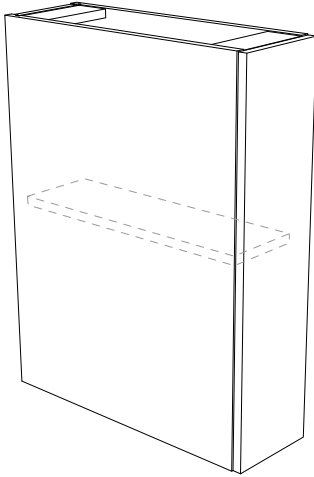
Note : - Wood Panel available core : MFC, MDF, & HPP

■ HANGING SYSTEM



SLAB DOOR MODULES

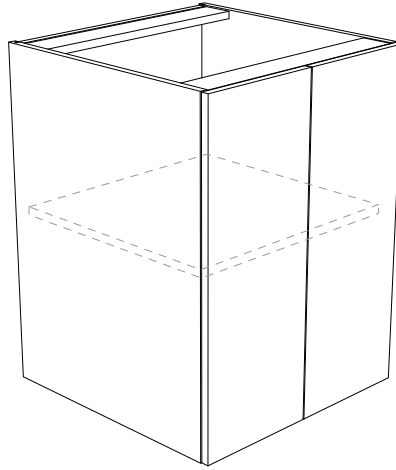
BASE CABINET



Base Cabinet

With 1 Door L/R + 1 Shelf

D=610mm H=800mm
B20 L/R (Width 200mm)
B30 L/R (Width 300mm)
B40 L/R (Width 400mm)

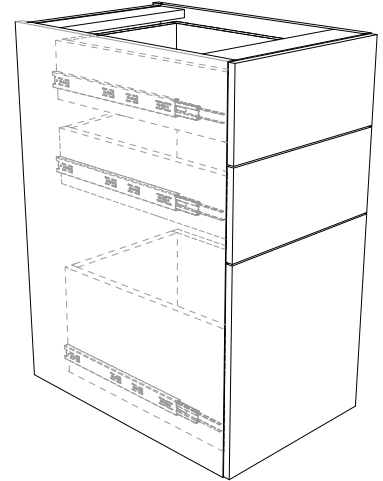


Base Cabinet

With 2 Doors + 1 Shelf

D=610mm H=800mm
B60 (Width 600mm)
B80 (Width 800mm)

DRAWER BASE CABINET

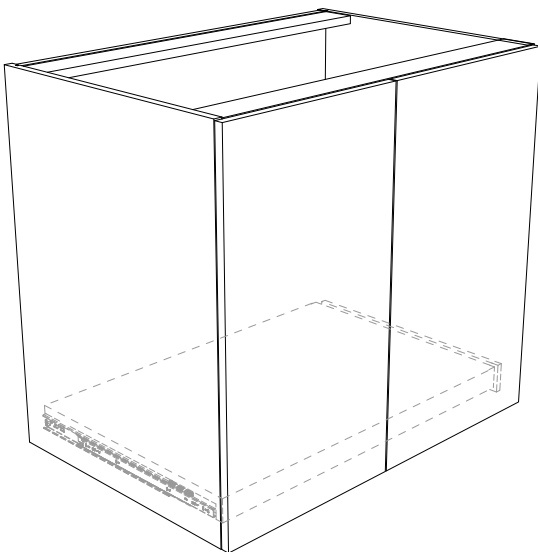


Drawer Cabinet

With 3 Drawers

D=610mm H=800mm
DB40 (Width 400mm)
DB80 (Width 800mm)

HOB BASE CABINET

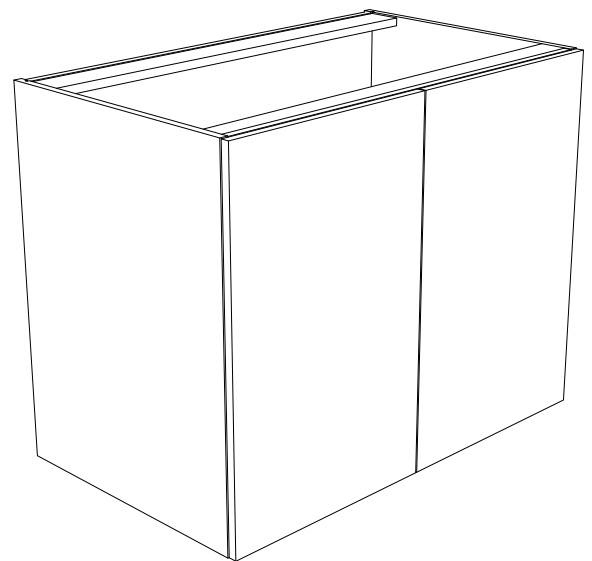


Hob Base Cabinet

With 2 Doors + 1 Efoxy Slide

D=610mm H=800mm
HB90 (Width 900mm)

SINK BASE CABINET



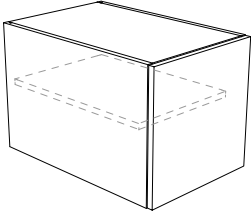
Sink Base Cabinet

With 2 Doors

D=610mm H=800mm
SB90 (Width 900mm)
SB100 (Width 1000mm)

SLAB DOOR MODULES

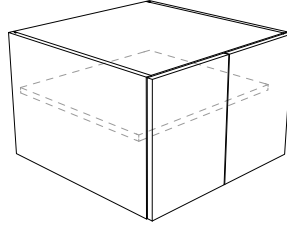
WALL CABINET



Wall Cabinet

With 1 Door L/R + 1 Shelf

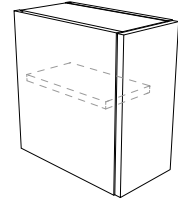
D=610mm H=400mm
W406040 L/R (Width 400mm)
W506040 L/R (Width 500mm)



Wall Cabinet

With 2 Doors + 1 Shelf

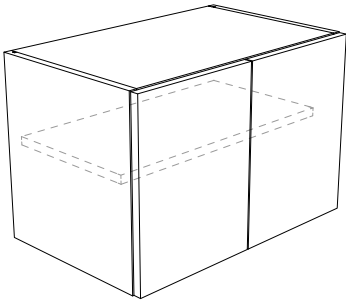
D=610mm H=400mm
W606040 (Width 600mm)



Wall Cabinet

With 1 Door L/R + 1 Shelf

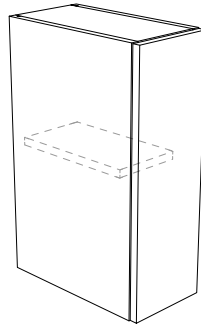
D=385mm H=400mm
W204040 L/R (Width 200mm)
W304040 L/R (Width 300mm)
W404040 L/R (Width 400mm)



Wall Cabinet

With 2 Doors + 1 Shelf

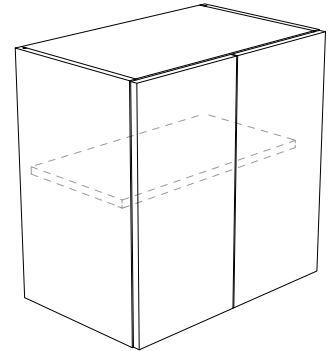
D=385mm H=400mm
W604040 (Width 600mm)
W804040 (Width 800mm)
W904040 (Width 900mm)



Wall Cabinet

With 1 Door L/R + 1 Shelf

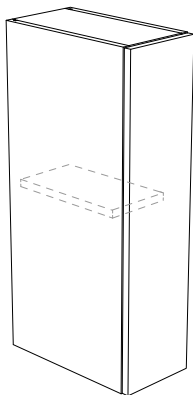
D=385mm H=600mm
W204060 L/R (Width 200mm)
W304060 L/R (Width 300mm)
W404060 L/R (Width 400mm)



Wall Cabinet

With 2 Doors+ 1 Shelf

D=385mm H=600mm
W604060 (Width 600mm)
W804060 (Width 800mm)
W904060 (Width 900mm)

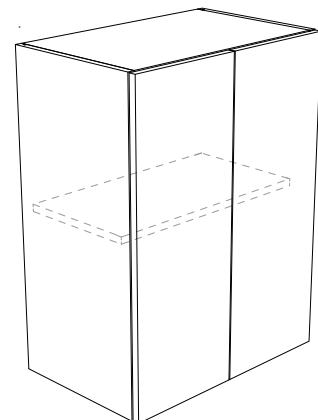


Wall Cabinet

With 1 Door L/R + 1 Shelf

D=385mm H=800mm
W204080 L/R (Width 200mm)
W304080 L/R (Width 300mm)
W404080 L/R (Width 400mm)

ASTERA
— KITCHEN —



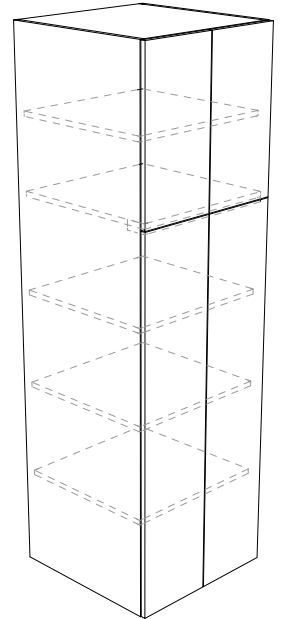
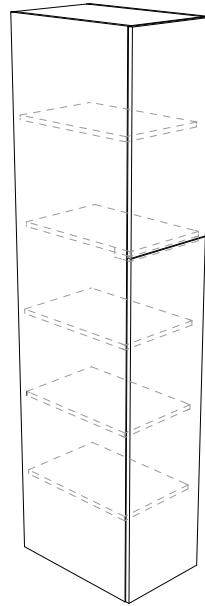
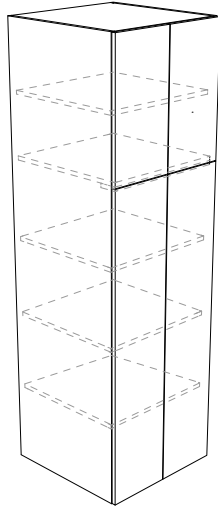
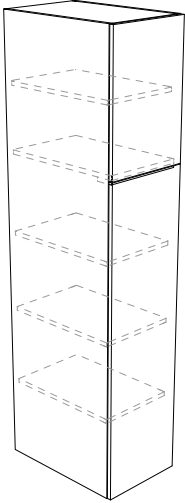
Wall Cabinet

With 2 Doors + 1 Shelf

D=385mm H=800mm
W604080 (Width 600mm)
W804080 (Width 800mm)
W904080 (Width 900mm)

SLAB DOOR MODULES

PANTRY CABINET



Pantry Cabinet
With 2 Doors L/R + 5 Shelves

D=610mm H=2000mm
P4060200 L/R (Width 400mm)

Pantry Cabinet
With 4 Doors + 5 Shelves

D=610mm H=2000mm
P6060200 (Width 600mm)
P8060200 (Width 800mm)

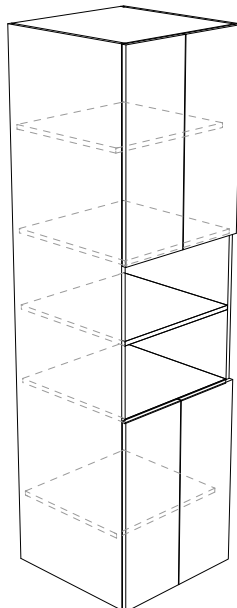
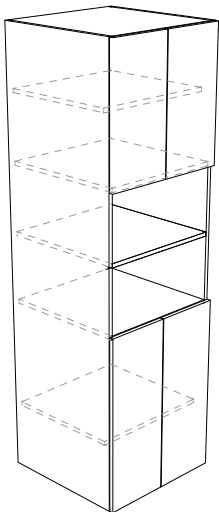
Pantry Cabinet
With 2 Doors L/R + 5 Shelves

D=610mm H=2200mm
P4060220 L/R (Width 400mm)

Pantry Cabinet
With 4 Doors + 5 Shelves

D=610mm H=2200mm
P6060220 (Width 600mm)
P8060220 (Width 800mm)

PANTRY CABINET PM



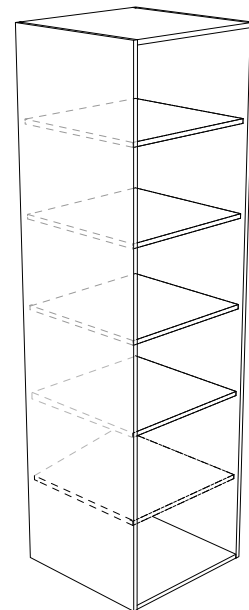
Pantry Cabinet PM
With 4 Doors + 5 Shelves

D=610mm H=2000mm
PM6060200 (Width 600mm)

Pantry Cabinet PM
With 4 Doors + 5 Shelves

D=610mm H=2200mm
PM6060220 (Width 600mm)

PANTRY CABINET OS

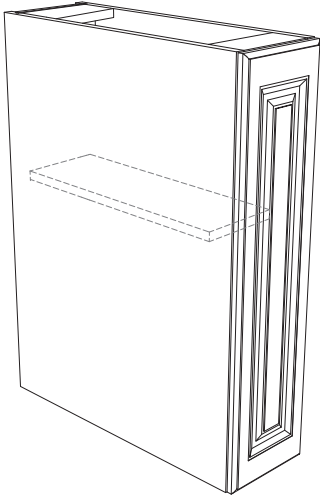


Pantry Cabinet OS
With 5 Shelves

D=610mm H=2200mm
P6060220 OS (Width 600mm)

■ THERMOFOIL MODULES

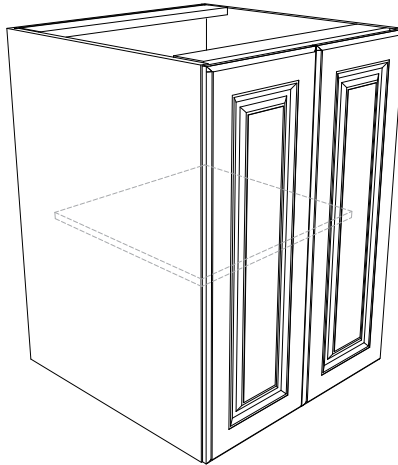
BASE CABINET



Base Cabinet

With 1 Door L/R + 1 Shelf

D=610mm H=800mm
B20 L/R (Width 200mm)
B30 L/R (Width 300mm)
B40 L/R (Width 400mm)

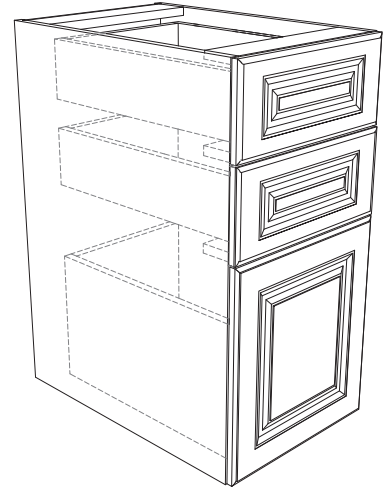


Base Cabinet

With 2 Doors + 1 Shelf

D=610mm H=800mm
B60 (Width 600mm)
B80 (Width 800mm)

DRAWER BASE CABINET

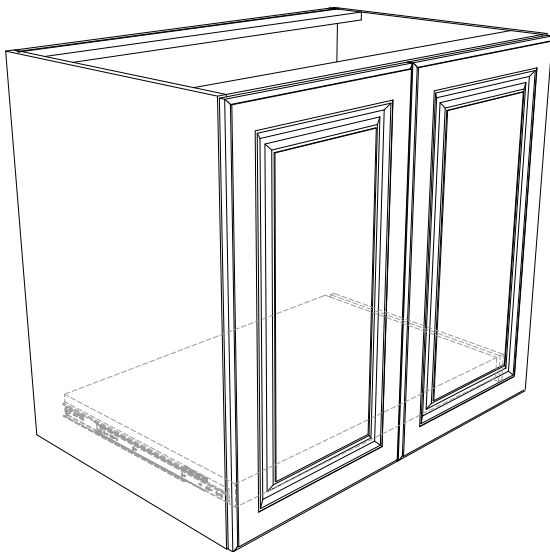


Drawer Cabinet

With 3 Drawers

D=610mm H=800mm
DB40 (Width 400mm)
DB80 (Width 800mm)

HOB BASE CABINET

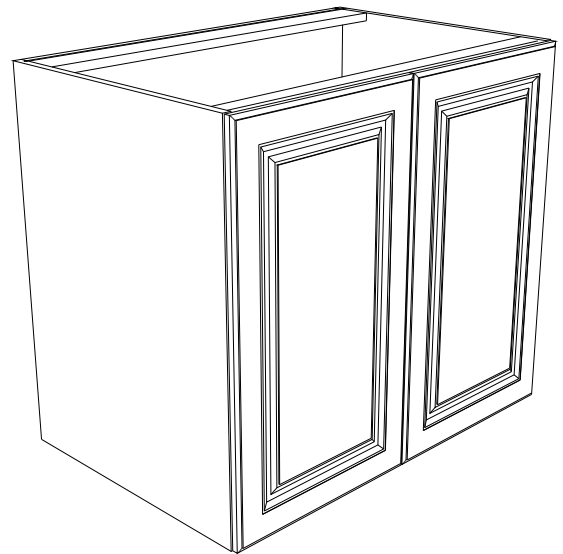


Hob Base Cabinet

With 2 Doors + 1 Efoxy Slide

D=610mm H=800mm
HB90 (Width 900mm)

SINK BASE CABINET



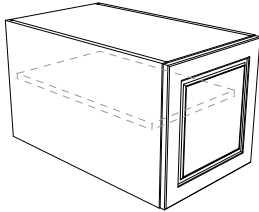
Sink Base Cabinet

With 2 Doors

D=610mm H=800mm
SB90 (Width 900mm)
SB100 (Width 1000mm)

THERMOFOIL MODULES

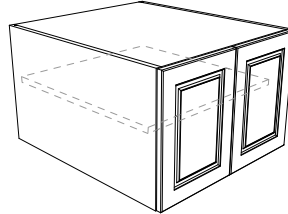
WALL CABINET



Wall Cabinet

With 1 Door L/R + 1 Shelf

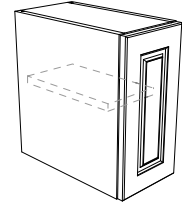
D=610mm H=400mm
W406040 L/R (Width 400mm)
W506040 L/R (Width 500mm)



Wall Cabinet

With 2 Doors + 1 Shelf

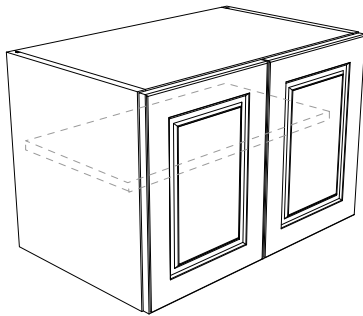
D=610mm H=400mm
W606040 (Width 600mm)



Wall Cabinet

With 1 Door L/R + 1 Shelf

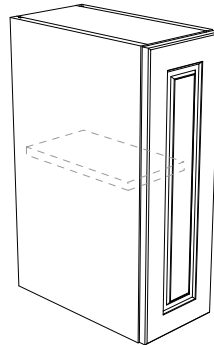
D=385mm H=400mm
W204040 L/R (Width 200mm)
W304040 L/R (Width 300mm)
W404040 L/R (Width 400mm)



Wall Cabinet

With 2 Doors + 1 Shelf

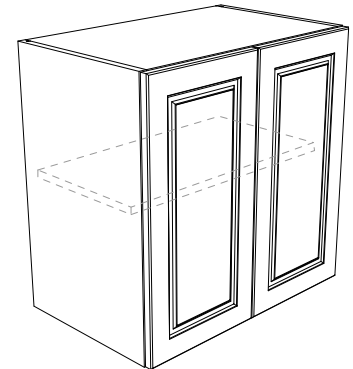
D=385mm H=400mm
W604040 (Width 600mm)
W804040 (Width 800mm)
W904040 (Width 900mm)



Wall Cabinet

With 1 Door L/R + 1 Shelf

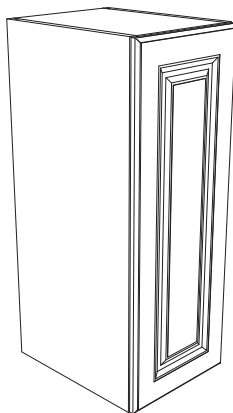
D=385mm H=600mm
W204060 L/R (Width 200mm)
W304060 L/R (Width 300mm)
W404060 L/R (Width 400mm)



Wall Cabinet

With 2 Doors + 1 Shelf

D=385mm H=600mm
W604060 (Width 600mm)
W804060 (Width 800mm)
W904060 (Width 900mm)

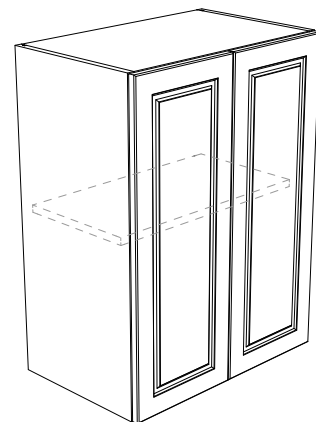


Wall Cabinet

With 1 Door L/R + 1 Shelf

D=385mm H=800mm
W204080 L/R (Width 200mm)
W304080 L/R (Width 300mm)
W404080 L/R (Width 400mm)

ASTERA
— KITCHEN —



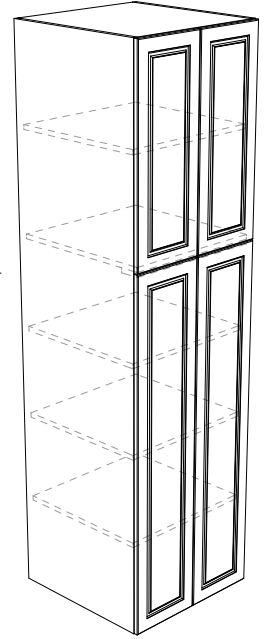
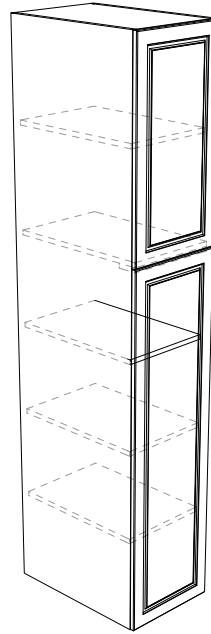
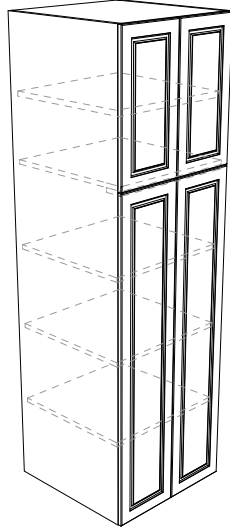
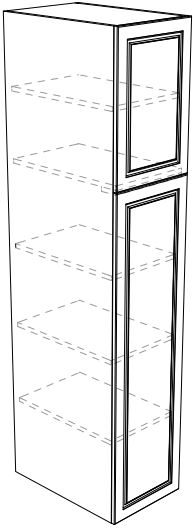
Wall Cabinet

With 2 Doors + 1 Shelf

D=385mm H=800mm
W604080 (Width 600mm)
W804080 (Width 800mm)
W904080 (Width 900mm)

THERMOFOIL MODULES

PANTRY CABINET



Pantry Cabinet
With 2 Doors L/R + 5 Shelves

D=610mm H=2000mm
P4060200 L/R (Width 400mm)

Pantry Cabinet
With 4 Doors + 4 Shelves

D=610mm H=2000mm
P6060200 (Width 600mm)
P8060200 (Width 800mm)

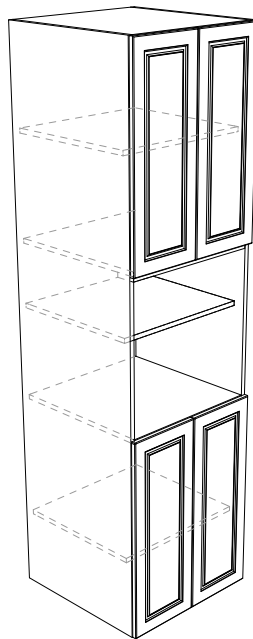
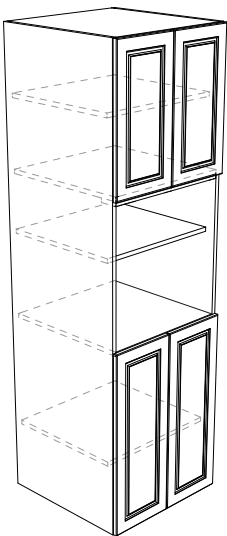
Pantry Cabinet
With 2 Doors L/R + 5 Shelves

D=610mm H=2200mm
P4060220 L/R (Width 400mm)

Pantry Cabinet
With 4 Doors + 5 Shelves

D=610mm H=2200mm
P6060220 (Width 600mm)
P8060220 (Width 800mm)

PANTRY CABINET PM



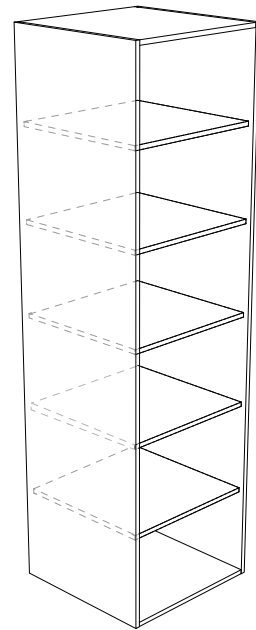
Pantry Cabinet PM
With 4 Doors + 5 Shelves

D=610mm H=2000mm
PM6060200 PM (Width 600mm)

Pantry Cabinet PM
With 4 Doors + 5 Shelves

D=610mm H=2200mm
PM6060220 (Width 600mm)

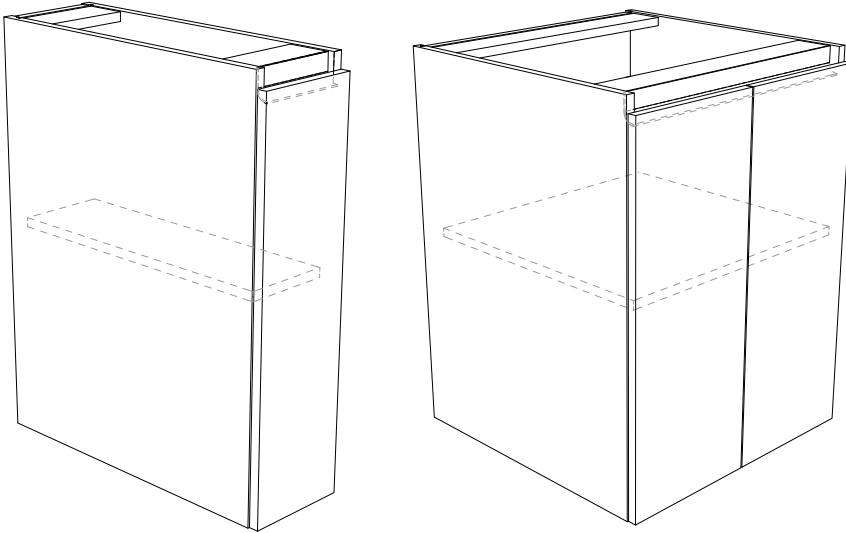
PANTRY CABINET OS



Pantry Cabinet OS
With 5 Shelves

D=610mm H=2200mm
P6060220 OS (Width 600mm)

BASE CABINET



Base Cabinet

With 1 Door L/R + 1 Shelf

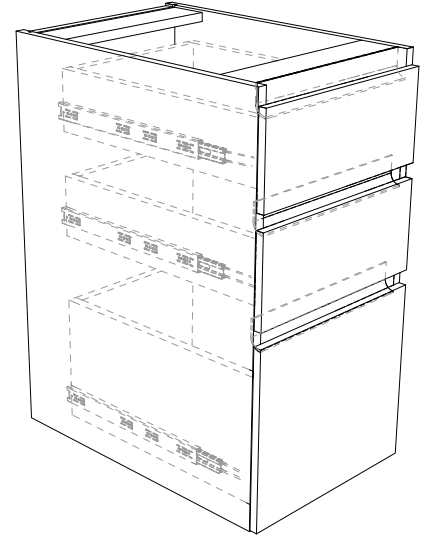
D=610mm H=800mm
 B20 GL L/R (Width 200mm)
 B30 GL L/R (Width 300mm)
 B40 GL L/R (Width 400mm)

Base Cabinet

With 2 Doors + 1 Shelf

D=610mm H=800mm
 B60 GL (Width 600mm)
 B80 GL (Width 800mm)

DRAWER BASE CABINET

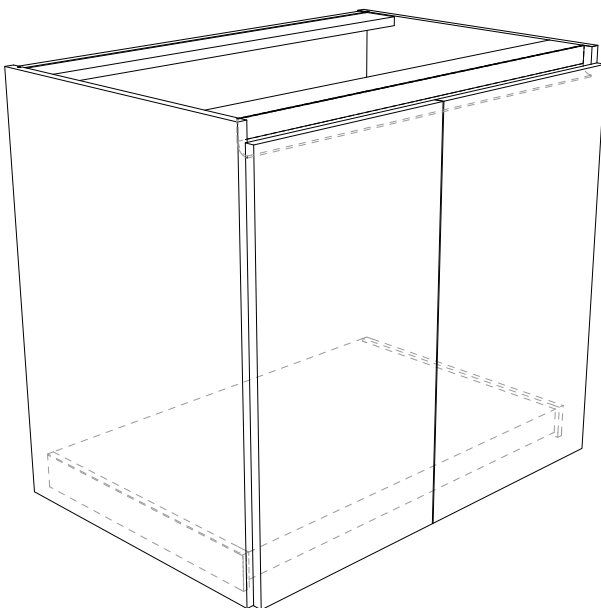


Drawer Cabinet

With 3 Drawers

D=610mm H=800mm
 DB40 GL (Width 400mm)
 DB80 GL (Width 800mm)

HOB BASE CABINET

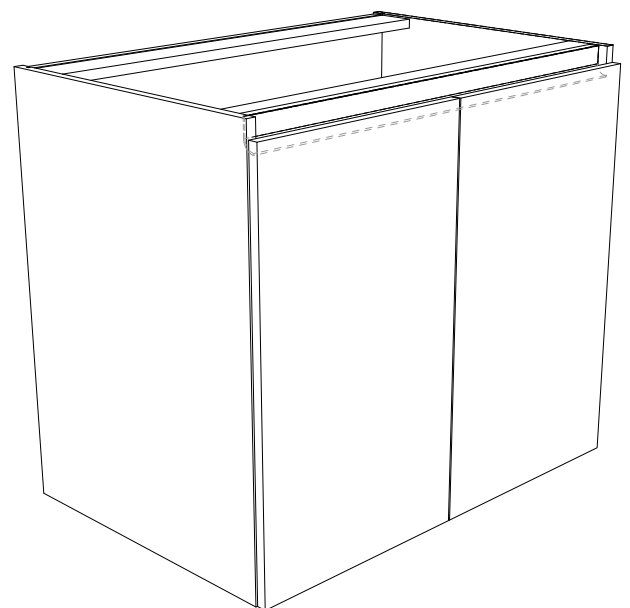


Hob Base Cabinet

With 2 Doors + 1 Efoxy Slide

D=610mm H=800mm
 HB90 GL (Width 900mm)

SINK BASE CABINET

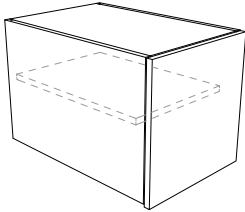


Sink Base Cabinet

With 2 Doors

D=610mm H=800mm
 SB90 GL (Width 900mm)
 SB100 GL (Width 1000mm)

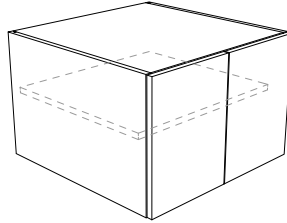
WALL CABINET



Wall Cabinet

With 1 Door L/R + 1 Shelf

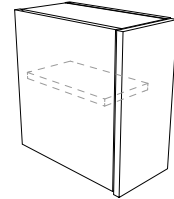
D=610mm H=400mm
W406040 FL L/R (Width 400mm)
W506040 FL L/R (Width 500mm)



Wall Cabinet

With 2 Doors + 1 Shelf

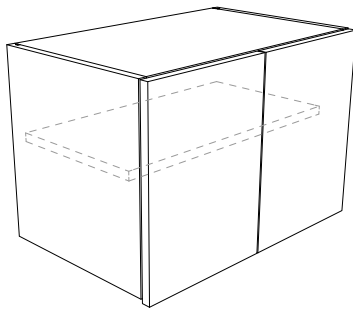
D=610mm H=400mm
W606040 FL (Width 600mm)



Wall Cabinet

With 1 Door L/R + 1 Shelf

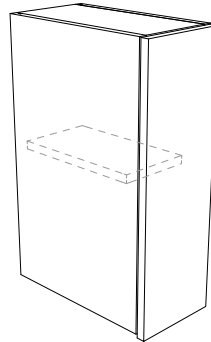
D=385mm H=400mm
W204040 FL L/R (Width 200mm)
W304040 FL L/R (Width 300mm)
W404040 FL L/R (Width 400mm)



Wall Cabinet

With 2 Doors + 1 Shelf

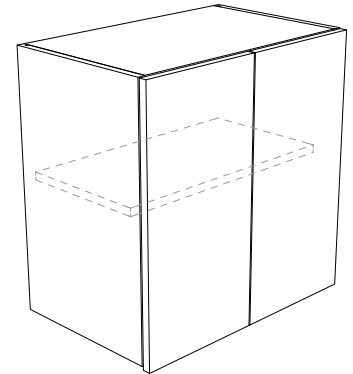
D=385mm H=400mm
W604040 FL (Width 600mm)
W804040 FL (Width 800mm)



Wall Cabinet

With 1 Door L/R + 1 Shelf

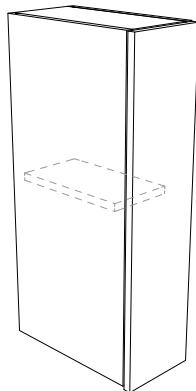
D=385mm H=600mm
W204060 FL L/R (Width 200mm)
W304060 FL L/R (Width 300mm)
W404060 FL L/R (Width 400mm)



Wall Cabinet

With 2 Doors + 1 Shelf

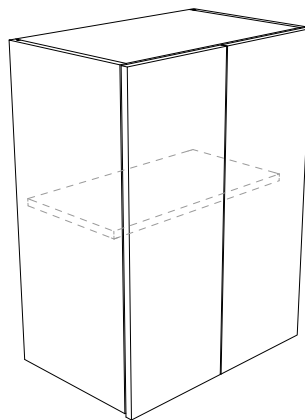
D=385mm H=600mm
W604060 FL (Width 600mm)
W804060 FL (Width 800mm)



Wall Cabinet

With 1 Door L/R + 1 Shelf

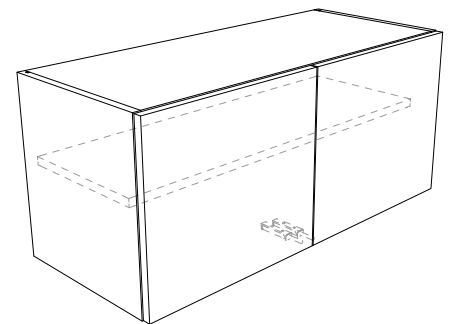
D=385mm H=800mm
W204080 FL L/R (Width 200mm)
W304080 FL L/R (Width 300mm)
W404080 FL L/R (Width 400mm)



Wall Cabinet

With 2 Doors + 1 Shelf

D=385mm H=800mm
W404080 FL (Width 400mm)
W604080 FL (Width 600mm)
W804080 FL (Width 800mm)
W904080 FL (Width 900mm)

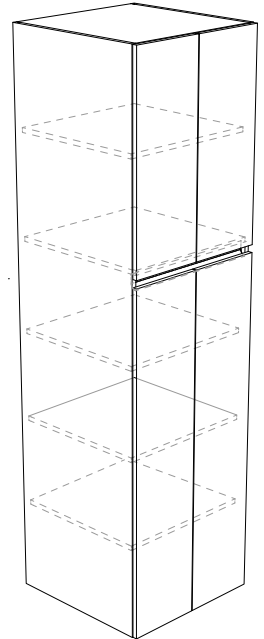
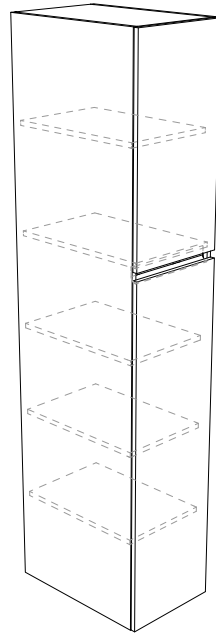
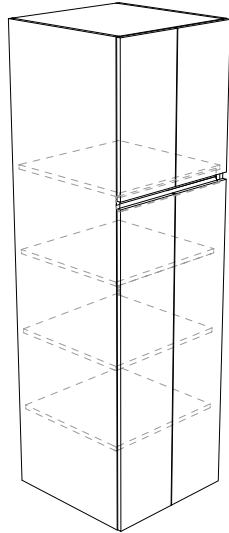
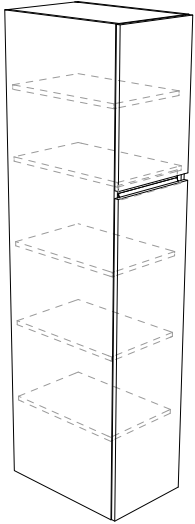


Wall Cabinet

With 2 Top On Door + 1 Shelf

D=385mm W=900mm
W904040 TP (Height 400mm)
W904060 TP (Height 600mm)
W904080 TP (Height 800mm)

PANTRY CABINET



Pantry Cabinet
With 2 Doors L/R + 5 Shelves

D=610mm H=2000mm
P4060200 GL L/R
(Width 400mm)

Pantry Cabinet
With 4 Doors + 5 Shelves

D=610mm H=2000mm
P6060200 GL (Width 600mm)
P8060200 GL (Width 800mm)

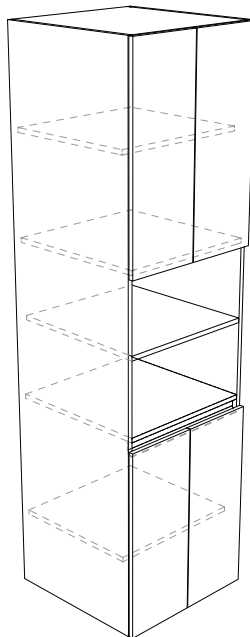
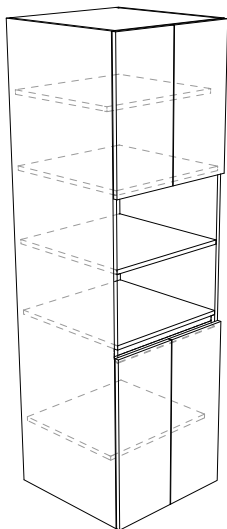
Pantry Cabinet
With 2 Doors L/R + 5 Shelves

D=610mm H=2200mm
P4060220 GL L/R
(Width 400mm)

Pantry Cabinet
With 4 Doors + 5 Shelves

D=610mm H=2200mm
P6060220 GL (Width 600mm)
P8060220 GL (Width 800mm)

PANTRY CABINET PM



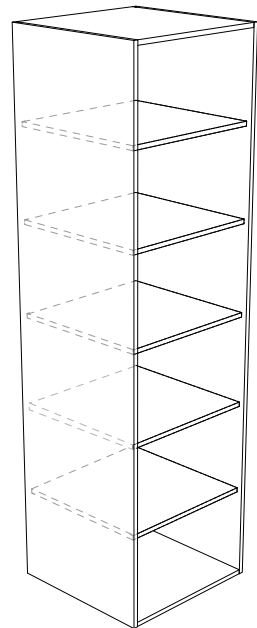
Pantry Cabinet PM
With 4 Doors + 5 Shelves

D=610mm H=2000mm
PM6060200 GL (Width 600mm)

Pantry Cabinet PM
With 4 Doors + 5 Shelves

D=610mm H=2200mm
PM6060220 GL (Width 600mm)

PANTRY CABINET OS



Pantry Cabinet OS
With 5 Shelves

D=610mm H=2200mm
P6060220 OS (Width 600mm)

FINISHING OPTIONS

WOOD PANEL OPTIONS

With MFC, MDF or plywood as core and a melamine decorative paper applied to 2 sides. The quality and realism of the reproductions allow you to offer the look and feel of veneers without the premium price. The panel has a pre-finished, hard wearing surface, which is easy to maintain.



* The Colour may slightly different due to the printing process

** The detail information and color in this print may be modified or updated the company without prior notice

FINISHING OPTIONS

COLOR OPTIONS



WHITE



**COLONNADE
GRAY**



**VENTURA
GRAY**



**PHANTOM
PEARL**



BIRCH



NAPLES



VERONA



GRIGIO



**SABATINI
BLACK**

Note : - available surface finishing; matte, woodgrain, woodrift, and synchro.
- this color is available for the slab doors.

* The Colour may slightly different due to the printing process

** The detail information and color in this print may be modified or updated the company without prior notice

FINISHING OPTIONS

COLOR OPTIONS



FRESH MAGNOLIA



WARM TEAK



SOUTHWESTERN



CONCRETE



LICORICE

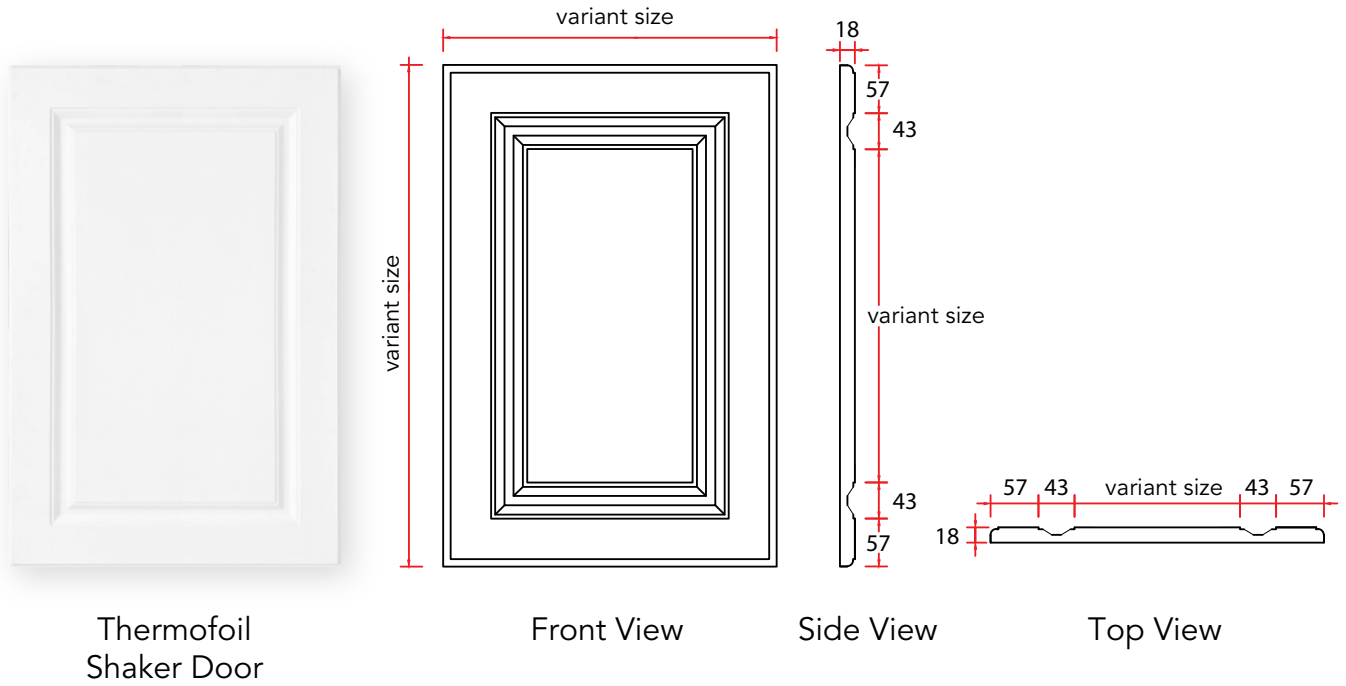


Note : - available surface finishing ; matte, woodgrain, woodrift, and synchro.

* The Colour may slightly different due to the printing process

** The detail information and color in this print may be modified or updated the company without prior notice

■ THERMOFOIL DOOR



- Note :** *
- * Thermofoil door available white color only.
 - ** Dimension of the profile will be different sizes on the front drawer and door's profile of the cabinets width 20.



COUNTERTOPS

A countertop may be constructed of various materials with different attributes of functionality, durability, and aesthetics. Quartz as standard Countertops from ASTERA made with quartz. Manufactured with the highest quality standards till durable, beautiful, and perfect for kitchens.

www.astera.co.id

* The Colour may slightly different due to the printing process

** The detail information and color in this print may be modified or updated the company without prior notice

COLOR OPTIONS

GROUP A



**7008
PREMIUM WHITE**



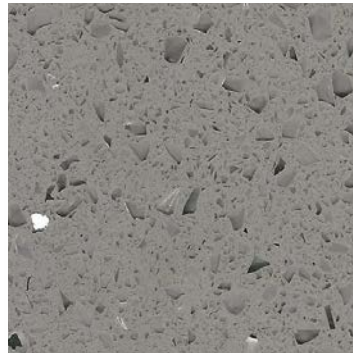
**7850
ALPINE WHITE**



**7009
FROST WHITE**



**CRYSTAL
WHITE**



**7067
GREY GLASS**



**7611
METROPOLIS GREY**

GROUP B



**6501
CARRARA WHITE**



**7028
PURE WHITE**

* The Colour may slightly different due to the printing process

** The detail information and color in this print may be modified or updated the company without prior notice

COLOR OPTIONS

GROUP C



**BQ8912
CALACATTA**



**BQ8628
STATUARIO**



**BQ9441
COLD SPRING**



**BQ8829
AVALANCHE**



**BQ9610
ACACIA**



**BQ9427
COSMIC BLACK**



**BQ8560
DARK EMPARADOR**

* The Colour may slightly different due to the printing process

** The detail information and color in this print may be modified or updated the company without prior notice

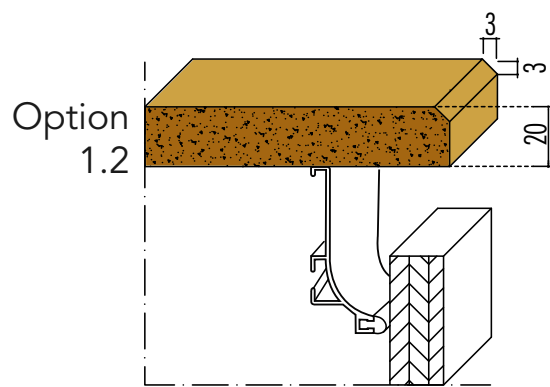
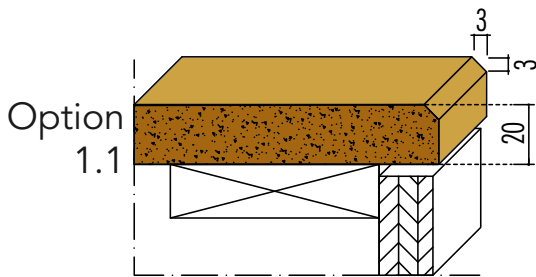
COUNTERTOPS

EDGE OPTIONS

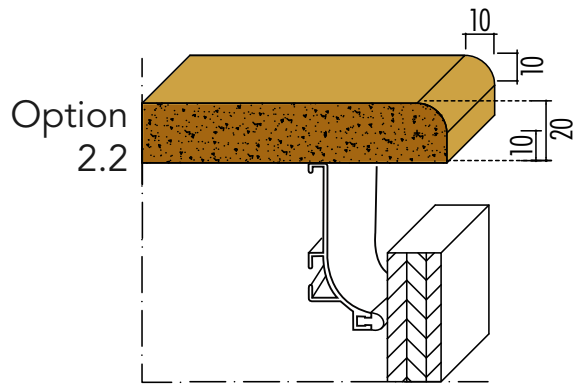
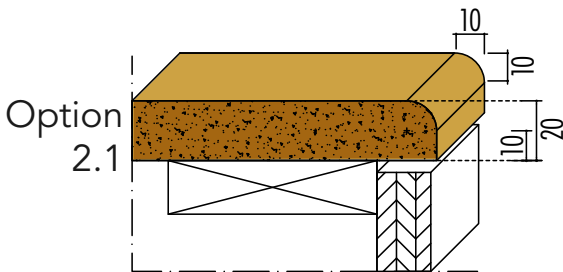
With Handles

With Extrusion Handles

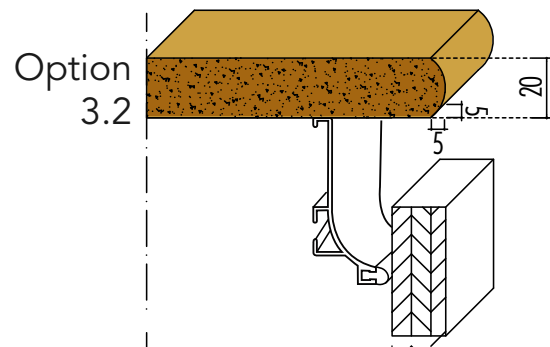
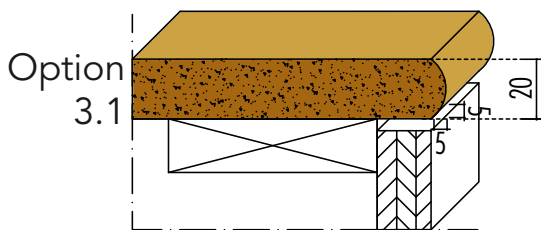
SMALL BEVEL



ROUND OVER



BOOKEND



* The Colour may slightly different due to the printing process

** The detail information and color in this print may be modified or updated the company without prior notice



* The Colour may slightly different due to the printing process

** The detail information and color in this print may be modified or updated the company without prior notice

■ ACCESSORIES HANDLE

PULL HANDLES



CH 2211 7096

Brush Golden
Length 140 mm



CH 2211 1096

Brush Light Grey
Length 140 mm



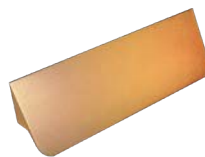
CH 2212 1128

Light champagne
Length 148 mm



CH 2212 2128

Shiny Black
Length 148 mm



CH 2213 7096

Golden Matt
Length 138 mm



CH 2214 6128

Polished Chrome
Length 148 mm

KNOB



CH 2107 7000

Brush Golden
Length 35 mm

EXTRUDE HANDLES



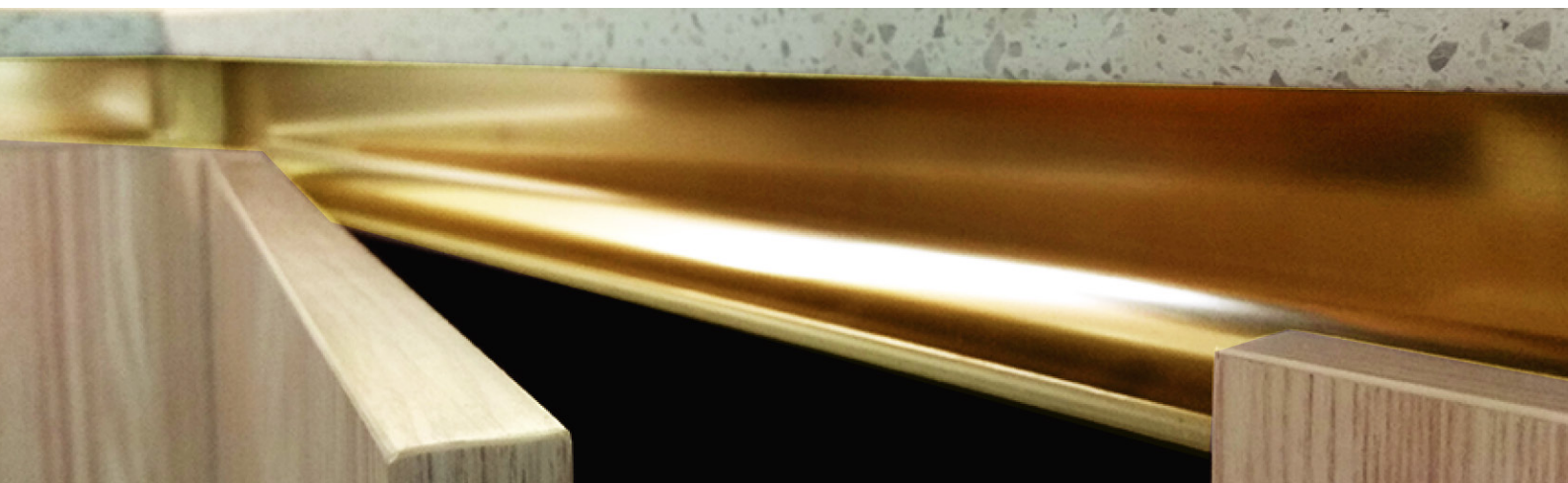
CH 2301 3000

Lighter champagne



CH 2301 7000

Golden

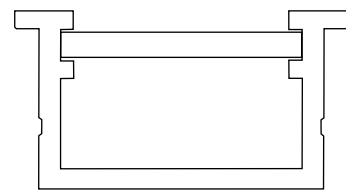


* The Colour may slightly different due to the printing process

** The detail information and color in this print may be modified or updated the company without prior notice

■ ACCESSORIES LAMP

LED STRIP LIGHT



Extrusion profile

LED Strip Light - LX 7003 1001

Maximum length : 3000mm
Light color : Warm white



* The Colour may slightly different due to the printing process

** The detail information and color in this print may be modified or updated the company without prior notice



Head Office

Rukan Great Wall C No. 35
Gondrong, Cipondoh,
Kota Tangerang, Banten 15147
Jakarta - Indonesia
(021) 2903 8258
www.astera.co.id

Showroom Astera

Ruko Mendrisio 3, Jl. Boulevard iL
Lago Blk. B No.32, Paramount
Gading, Kec. Serpong, Kabupaten
Tangerang, Banten 15810
(021) 2950 7045
www.astera.co.id